



ECONYL®

ICON KEY ON SECOND PAGE

- ➔ Durable linking joints for ease of handling/fitting.
- ➔ Suitable for high volume footfall in commercial locations.
- ➔ Available with most standard carpet insert options.
- ➔ Custom-made to order.
- ➔ Manufactured in UK
- ➔ Accessories

Technical Specification

Uniclass	Pr_35_57_11_26 Entrance mats
CAWS	N10 / 300 Entrance Matting
Material	Aluminium channels with carpet inserts
Surface Finish	carpet
Product Height	12 mm
Durability	Heavy to very heavy traffic entrances
Environmental Resistance	Suitable for indoor environments only
UV Resistance	Yes
Typical Applications	Entrance areas
Installation Method	Installed into recessed well
Slip Tested to	BS 7976-2 – low slip potential
Fire Tested to	Alba inserts: BS EN 13501-1 Class C _{fl} – s1. Needlepunch inserts: BS EN 13501-1 Class E _{fl} – s1.
Other Product Performance Information	Uniform floor load = 14.36 KN/ m ² . Wheel load 159 kg per wheel
COO (Country of Origin)	UK

Notes: Slip resistance specifications are based on the correct direction of travel i.e. perpendicular to the rails and inserts.

FEATURES AND BENEFITS

STYLES AND COLOURS



EXCO E carpet insert
Anthracite Alba



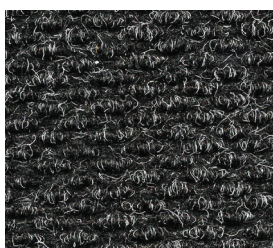
EXCO E carpet insert
Grey Alba



EXCO E carpet insert
Blue Alba



EXCO E carpet insert
Brown Alba

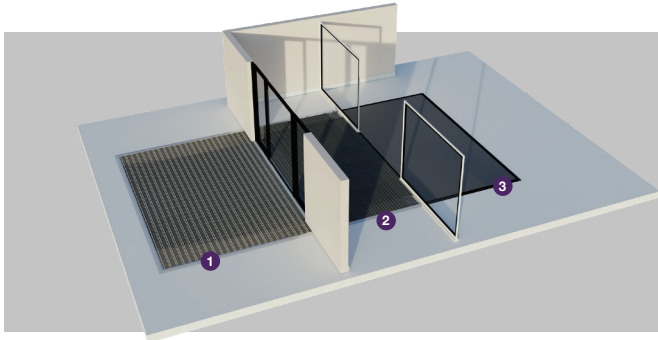


EXCO E carpet insert
Charcoal Needlepoint



EXCO E carpet insert
Grey Needlepoint

ZONES



Zones

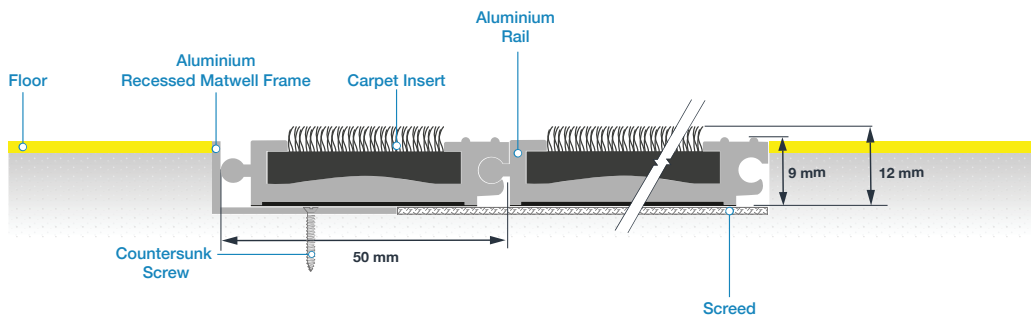
We recommend a zoning system when choosing your entrance matting. Whether your entrance extends outdoors or is fully covered, creating three zones delivers optimum dirt barrier performance, ensuring interior floors are kept clean and hazard free.



Light	Medium	High	Very High	Light	Medium	Heavy Duty	Max Duty	Dirt	Moisture
Less than 80 people per hour 3-4 metres	Up to 300 people per hour 6-7 metres	Around 600 people per hour 8-10 metres	Over 5,000 people per day 9-12 metres	Suitcases, Wheelchairs	Supermarket Trolleys, Sack barrows, Luggage trolleys	Supermarket Cages, Pallet Trucks	Forklift Trucks, Hydraulic Cranes	Most Effective Against Dirt/Soil	Most Effective Against Moisture
Pedestrian Traffic				Wheeled Traffic			Contaminants		
It is important that matting is a sufficient length to allow moisture and debris to be wiped off footwear as people walk across the mat. Our team recommends a minimum of six footsteps for this to be effective.				Depending on the nature of the building, the entrance may have to contend with different types of wheeled traffic. It is important that all matting complies with DDA Regulations/The Equality Act, so that wheelchairs can safely move on and off.			All of our products protect you against contaminants, but some products are more effective than others for removing either dirt or moisture. Use these icons to determine which.		

INSTALLATION

**EXCO E Entrance Matting
Installed in a recessed well**



**EXCO E Entrance Matting
Installed on floor surface and
finished with a ramped edge**

